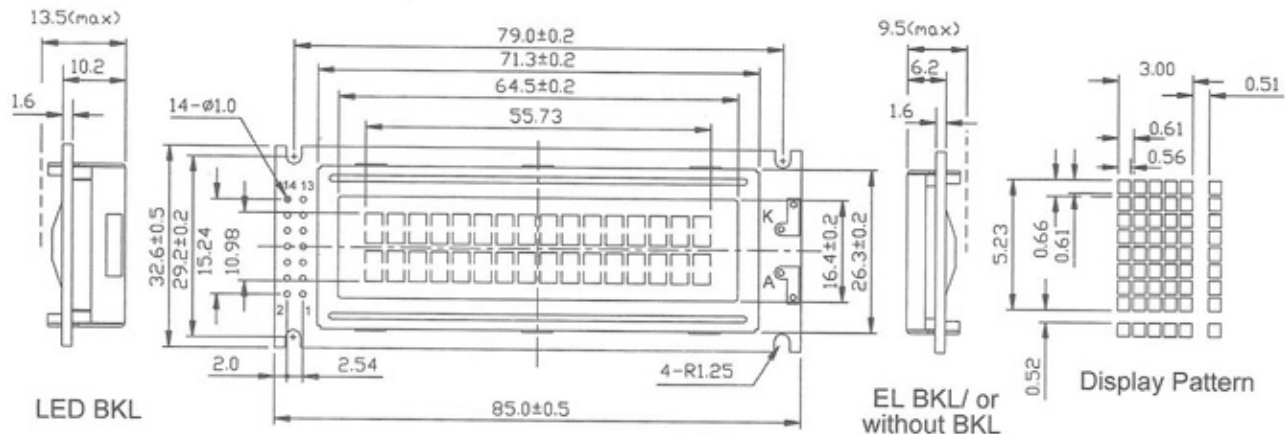


DM1602T



PERFORMANCE FEATURES

LC FLUID:	STN, TN
POLARIZER:	REFLECTIVE, TRANFLECTIVE TRANSMISSIVE
COLOR:	GREY, YELLOW, BLUE
BLACK LIGHT:	LED (YELLOW-GREEN)
TEMPERATURE RANGE:	STANDARD, WIDE

PIN	SIGNAL	PIN	SIGNAL
1	VSS	9	DB 2
2	VDD	10	DB 3
3	V0	11	DB 4
4	RS	12	DB 5
5	R/W	13	DB 6
6	E	14	DB 7
7	DBO	A	LED+
8	DB 1	K	LED-